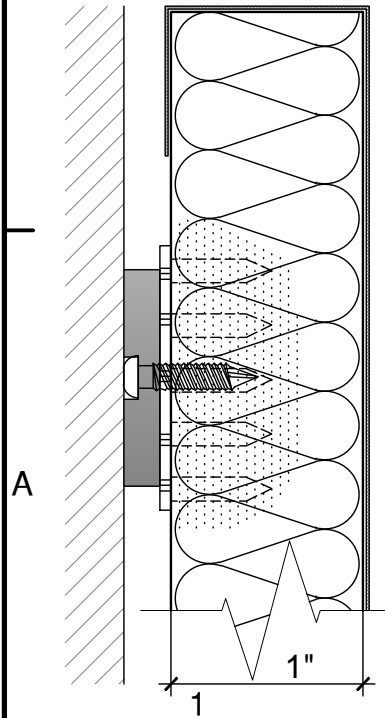


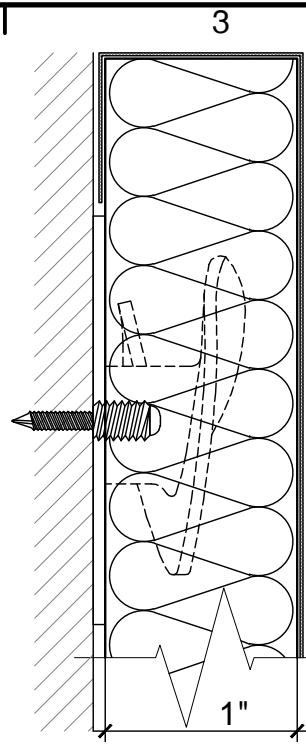
## HOOK & LOOP

INSTALL BOTTOM LEVELING BRACKETS. THE HOOK SIDE IS FACTORY INSTALLED ON BACK OF PANEL. TRANSFER THESE LOCATIONS TO WALL AND SECURELY FASTEN (STAPLE OR SCREW) THE LOOP SIDE. PRESS FIRMLY ON PANEL AT HOOK AND LOOP LOCATION



## MAGNETIC

INSTALL BOTTOM LEVELING BRACKET IF REQUIRED. THE MAGNETS ARE FACTORY INSTALLED. PRESS PANEL IN PLACE AGAINST METAL SURFACE



## ROTOFAST

SCREW ROTOFAST SNAP-ON ANCHORS INTO THE BACK OF THE PANEL USING THE ROTOFAST DRIVER TOOL. INSERT MARKING PLUGS INTO THE SNAP-ON ANCHORS. PUSH PANEL AGAINST WALL TO MARK ANCHOR LOCATIONS. SCREW RATCHETS TO WALL AT MARKED LOCATIONS. (#8 SCREWS RECOMMENDED) FIRMLY PUSH PANEL ONTO RATCHETS TO COMPLETE INSTALLATION.



599 Henry Street  
Winnipeg, Manitoba  
Canada R3A 0V1  
Phone: 204.783.6297  
Fax: 204.783.7806

customerservice@soundconcepts.ca

C PRODUCT:

**ACOUSTICAL WALL PANELS**

DISCLAIMER

THESE DRAWINGS SHOW TYPICAL DETAILS FOR SOUND CONCEPTS PRODUCTS AND THEIR INSTALLATION. THEY ARE SUBJECT TO CHANGE WITHOUT NOTICE. SOUND CONCEPTS DOES NOT WARRANT AND ASSUMES NO LIABILITY FOR THE ACCURACY, COMPLETENESS OR FITNESS FOR A PARTICULAR PURPOSE.

01	NEW DWG/SHEET	MAY08	JLB
B NO.	REVISION	DATE	BY

CAD DWG FILE:

A-501-WALLS-SK6.DWG

SCALE: AS SHOWN

DRAWN BY: JLBRIONES

DATE: 08MAY2014

THIS DRAWING IS THE PROPERTY OF SOUND CONCEPTS WHICH RESERVES ALL COPYRIGHTS. THE SAME MAY NOT BE USED OR REPRODUCED, IN WHOLE OR IN PART WITHOUT THE WRITTEN PERMISSION OF SOUND CONCEPTS.

TITLE:

**PANEL MOUNTS**

A

A-501-WALLS-SK6