

C PRODUCT:

**LIFT & SHIFT
CEILING SYSTEM**

04	TEXT & DRAWING	10JAN2013	JLB
03	TEXT & DRAWING	24DEC2012	JLB
B NO.	REVISION	DATE	BY

CAD DWG FILE:
A-501-LIFT&SHIFT-SK8.DWG

SCALE: AS SHOWN

DRAWN BY: JLBRIONES

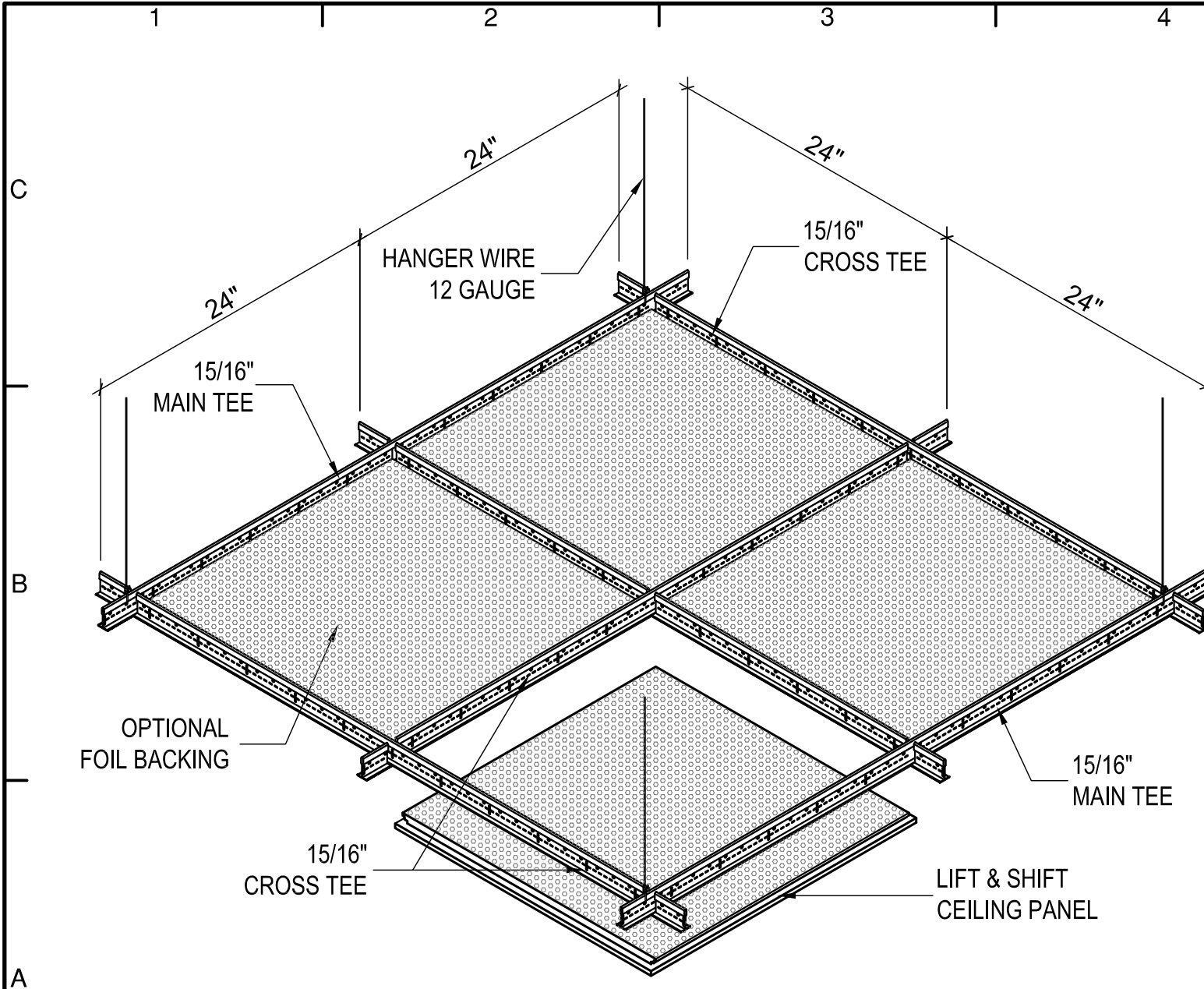
DATE: 11JAN2013

THIS DRAWING IS THE PROPERTY OF SOUND CONCEPTS WHICH RESERVES ALL COPYRIGHTS. THE SAME MAY NOT BE USED OR REPRODUCED, IN WHOLE OR IN PART WITHOUT THE WRITTEN PERMISSION OF SOUND CONCEPTS.

TITLE:

24"x24" MODULE

A-501-LIFT&SHIFT-SK8



A-1

ISOMETRIC VIEW

SCALE: 1" = 1'-0"



C

B

A

B

A

1

2

3

4

1

2

3

4