

# ACOUSTICAL WALL PANELS

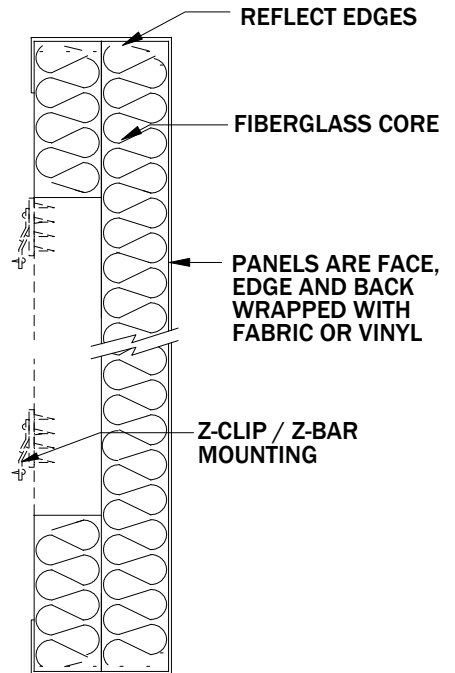
## REFLECT AIRSPACE PANELS

SOUND CONCEPTS REFLECT AIRSPACE PANELS ARE MANUFACTURED FROM OUR STANDARD 6-7 PCF FIBERGLASS CORE WHICH IS ACOUSTICALLY ABSORPTIVE. THE ENTIRE CORE IS INERT, AND DIMENSIONALLY STABLE.

SOUND CONCEPTS REFLECT AIRSPACE PANELS OFFER A UNIQUE DESIGN AND ABSORPTIVE QUALITIES.

THE MOST COMMON APPLICATION OF THESE PANELS ARE WHEN THE PANELS ARE WRAPPED WITH 100% WOVEN POLYESTER FABRIC. THE FABRIC IS BONDED WITH ACOUSTICALLY TRANSPARENT ADHESIVE TO THE FACE, EDGES AND BACK TO A MINIMUM OF 1-1/2" TO ELIMINATE FABRIC SAG OR PUCKERING. ALL CORNERS ARE TAILORED AND HEAT FUSED.

OTHER FACING MATERIALS RANGING FROM WEBCORE VINYL TO DESIGNTEX FABRICS, MAHARAM FABRICS TO ARC-COM FABRICS ARE ALSO AVAILABLE. CONSULT YOUR LOCAL REP OR FACTORY CONSULTANT FOR AVAILABILITY AND SUITABILITY.



**EDGES:** REFLECT (SOFT), CHEMICALLY HARDENED OR ALUMINUM/METAL

**EDGE PROFILE:** SQUARE, BEVELED, BULLNOSED OR CHAMFERED

**CORNERS:** SQUARE OR RADIUSSED

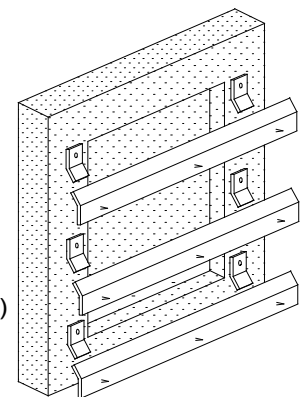
**MOUNTING:** Z-CLIP AND Z-BAR

**FACING MATERIALS:** 100% WOVEN POLYESTER AND MOST OTHER PANEL FABRICS (CONSULT YOUR LOCAL REP OR FACTORY CONSULTANT FOR AVAILABILITY & SUITABILITY)

**SIZES:** STANDARD - UP TO 48" x 120" (CUSTOM OVERSIZED PANELS ARE ALSO AVAILABLE)

**STANDARD TOLERANCES:** (+) (-) 1/16" ON LENGTH, WIDTH & THICKNESS.

**THICKNESS:** 2" , 3" OR 4" FIBERGLASS (CUSTOM THICKNESS ALSO AVAILABLE)



BACK OF PANEL

DESCRIPTION	125HZ	250HZ	500HZ	1000HZ	2000HZ	4000HZ	NRC
2" FIBERGLASS WITH FABRIC	.33	.71	1.23	1.29	1.22	1.24	1.10
3" FIBERGLASS WITH FABRIC	.58	1.16	1.16	1.25	1.18	1.12	1.20
4" FIBERGLASS WITH FABRIC	.76	1.16	1.24	1.33	1.23	1.16	1.25

ALL NOISE REDUCTION COEFFICIENT (NRC) TESTS AS PER ASTM C-423 (TYPE A MOUNTING)

ALL REFLECT PANEL COMPONENTS MEET CLASS A FLAME SPREAD AS TESTED UNDER ASTM E84

CONTACT SOUND CONCEPTS FOR SOUND ABSORPTION AVERAGE (SAA) VALUES

# SOUND CONCEPTS