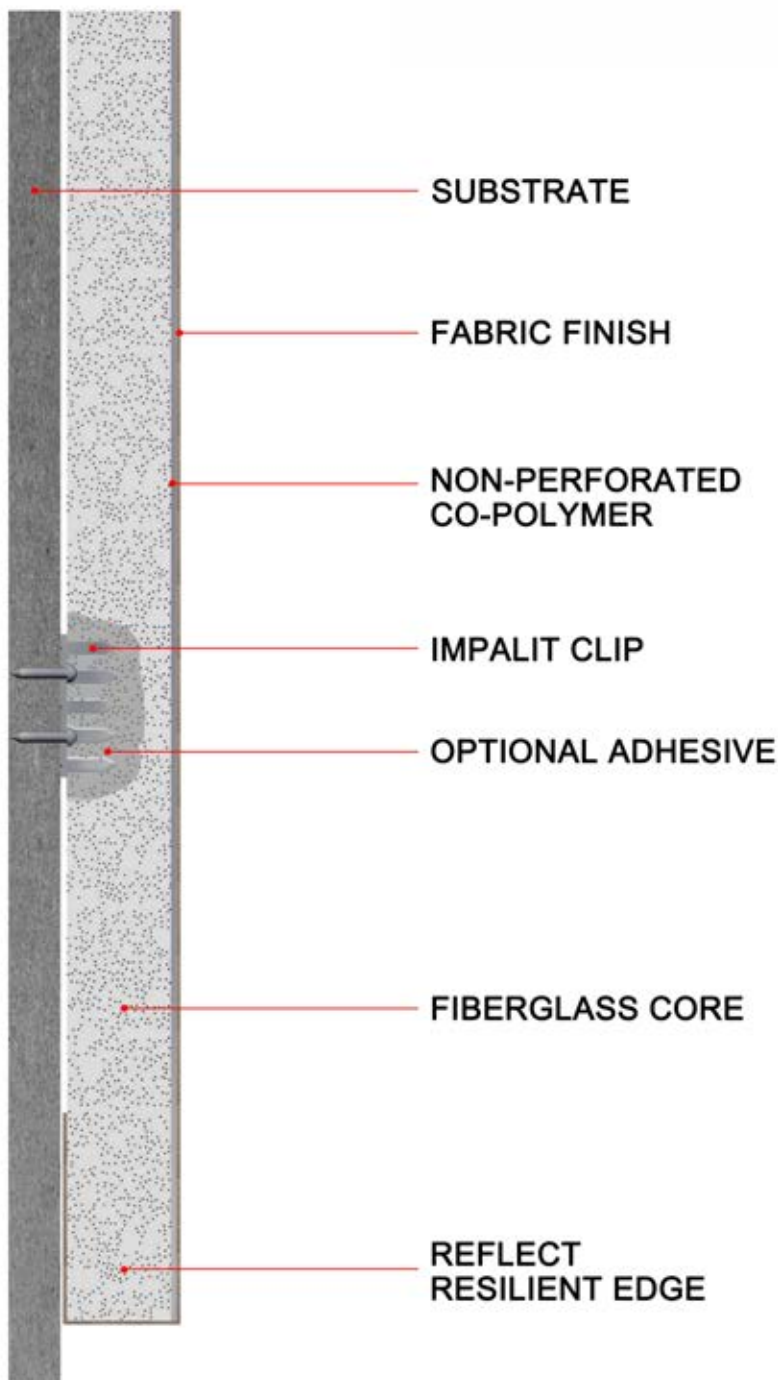




# RSP - REFLECTIVE

## Impact Resistant Acoustical Wall Panels



- Suitable for use in choral, band and performance areas that require a combination of absorptive and reflective surfaces
- Provides excellent sound control while withstanding severe abuse
- Extensive finish options available in PRINTS, polyesters, olefins, polyolefins, polypropylenes and Xorel fabrics plus vinyls and COM
- REFLECT resilient or hardened edges in square, bevel, chamfer, pencil radius, bullnose + custom configurations
- Sustainable fiberglass core attributes
  - 50% post-consumer recycled glass
  - Manufactured in Shelbyville, IN
- LEED Credits
  - MR Credit 4.1 = 1 point
  - MR Credit 4.2 = 1 point
  - EA Credit 1= 1 to 10 points
  - EQPR3 Prerequisite
  - EQ Credit 7.1 = 1 point
  - EQ Credit 9 = 1 to 2 points
  - EQ Credit 10 = 1 point

# PRODUCT DATA



<b>SPECIFICATIONS</b>	Section 09 83 19 Acoustical Wall Panels																		
<b>MATERIALS</b>	6 pcf fiberglass cores with an acoustically reflective, impact resilient co-polymer shield are inert, non-combustible, dimensionally stable and fully upholstered fabric with heat sealed corners																		
<b>SUSTAINABLE</b>	Extraction points for the raw materials used to produce fiber glass insulation in Shelbyville, IN are at <a href="http://soundconceptscan.com">soundconceptscan.com</a>																		
<b>FIRE</b>	ASTM E 84 all components are Class A																		
<b>ACOUSTICS</b>	<table><tr><td>Description</td><td>hz</td><td>125</td><td>250</td><td>500</td><td>1000</td><td>2000</td><td>4000</td><td>NRC</td></tr><tr><td>1"</td><td></td><td>0.21</td><td>0.14</td><td>0.19</td><td>0.14</td><td>0.24</td><td>0.29</td><td>0.20</td></tr></table> <p>Tested per ASTM C-423 in a type A mounting</p>	Description	hz	125	250	500	1000	2000	4000	NRC	1"		0.21	0.14	0.19	0.14	0.24	0.29	0.20
Description	hz	125	250	500	1000	2000	4000	NRC											
1"		0.21	0.14	0.19	0.14	0.24	0.29	0.20											
<b>EDGE</b>	hardened square, aluminum + custom																		
<b>CORNER</b>	square																		
<b>SHAPE</b>	rectangular + custom																		
<b>SIZE</b>	up to 47-3/4" x 120" + custom																		
<b>CONFIGURATION</b>	flat																		
<b>MOUNTING</b>	IMPALIT CLIP, z-bar/z-clip, z-clip/z-clip																		
<b>FINISH</b>	PRINTS, polyesters, olefins, polyolefins, polypropylenes and Xorel fabrics plus vinyls and COM																		
<b>LIMITATION</b>	RSP - REFLECTIVE panels are not intended for use in harsh environments such as exteriors, kitchens, food processing, food preparation and clean-rooms																		



**soundconcepts**  
Making your ideas resonate

599 Henry Avenue  
Winnipeg, Manitoba  
Canada R3A 0V1  
p: 866.525.4496 / 204.783.6297 • f: 204.783.7806  
e: [customerservice@soundconceptscan.com](mailto:customerservice@soundconceptscan.com)  
w: [www.soundconceptscan.com](http://www.soundconceptscan.com)