

ACOUSTICAL WALL PANELS

SUPER HIGH IMPACT RESISTANT I OR II

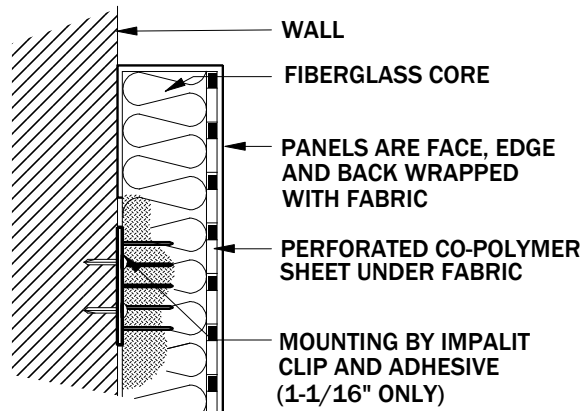
SOUND CONCEPTS S.H.I.R. WALL PANELS ARE MANUFACTURED WITH A 0.040" THICK PERFORATED CO-POLYMER SHEET LAMINATED TO OUR REFLECT 6-7 PCF FIBERGLASS CORE WITH SPECIALLY FORMULATED WATER BASED ADHESIVE FOR ACOUSTICAL TRANSPARENCY. THE ENTIRE CORE IS INERT, NON-COMBUSTIBLE AND DIMENSIONALLY STABLE.

THE TWO OPTIONS FOR S.H.I.R. ARE:

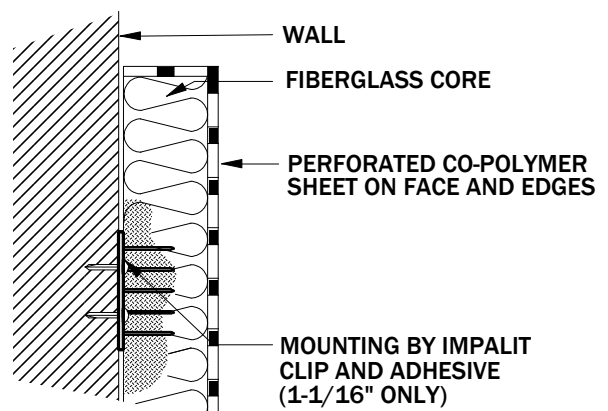
S.H.I.R. I - FABRIC COVERED OVER THE PERFORATED CO-POLYMER. THE FABRIC IS BONDED TO THE FACE, EDGES AND BACK TO A MINIMUM OF 1-1/2" TO ELIMINATE SAG AND PUCKERING. CORNERS ARE TAILORED AND HEAT FUSED.

S.H.I.R. II - CO-POLYMER COVERED FACE AND EDGES. A FULL RANGE OF COLORS FROM KYDEX AND KOROGUARD.

SOUND CONCEPTS S.H.I.R. PANELS OFFER GREAT PANEL "TOUGHNESS" IN THOSE HIGH TRAFFIC AREAS TO PROTECT AGAINST CONSTANT PANEL IMPACT.



S.H.I.R. I



S.H.I.R. II

- EDGES:** CHEMICALLY HARDENED OR CO-POLYMER
- EDGE PROFILE:** SQUARE (S.H.I.R. I OR II), BEVELOR CHAMFERED (S.H.I.R. I ONLY)
- CORNERS:** SQUARE
- MOUNTING:** IMPALIT CLIPS (1-1/16" ONLY), Z-CLIPS OR SPLINES
- FACING MATERIALS:** 100% WOVEN POLYESTER OR CO-POLYMER.
- SIZES:** STANDARD - UP TO 47-3/4" x 120"
- STANDARD TOLERANCES:** (+) (-) 1/16" ON LENGTH, WIDTH & THICKNESS.
- THICKNESS:** 1-1/16" , 2-1/16" (CUSTOM THICKNESS ALSO AVAILBLE)

DESCRIPTION	125HZ	250HZ	500HZ	1000HZ	2000HZ	4000HZ	NRC
1- 1/16" S.H.I.R. PANEL, WITH OR WITHOUT FABRIC	.12	.39	.91	1.03	.99	.99	.85
2- 1/16" S.H.I.R. PANEL, WITH OR WITHOUT FABRIC	.33	.71	1.23	1.29	1.22	1.24	1.10

ALL NOISE REDUCTION COEFFICIENT (NRC) TESTS AS PER ASTM C-423 (TYPE A MOUNTING)

ALL REFLECT PANEL COMPONENTS MEET CLASS A FLAME SPREAD AS TESTED UNDER ASTM E84

CONTACT SOUND CONCEPTS FOR SOUND ABSORPTION AVERAGE (SAA) VALUES

SOUND CONCEPTS